



# Model: SRG-400 (120v model) Gas-Fired Wood-Burning Stationary Rack Smoker

## Approximate Smoker Capacities

(Capacities will vary based on physical shape, weight, and method of loading for each product specified.)

Pork Butts (8-10 lbs)(3.6 - 4.5 kg) each.....42 pieces

St. Louis Ribs (2.75 lbs)(1.2 kg) each.....70 pieces

w/Optional vertical rib racks.....91 pieces

Whole Chicken (3-4 lbs)(1.4 - 1.8 kg) each....72 pieces

Beef Brisket (12-15 lbs)(5.4 - 6.8 kg) each.....18 pieces



(27) rack slides, 1 1/2" (38mm) spacing  
45.5 ft<sup>2</sup> (4.23 m<sup>2</sup>) standard cooking surface



## Standard Features:

- Stainless steel construction; exterior and interior.
- Mineral wool insulated cabinet.
- 6" (152mm) locking casters.
- Convection fan with 10" (254 mm) blower wheel.
- Control with a digital cook and hold thermostat ((140° to 325°F)(60° to 163°C), allows for selection of cook temperature, cook time, hold temperature, and programming of 30 preset menus).
- 6" (152mm) grease drain pan.
- (14) 18" x 26" (457 x 660mm) nickel chrome plated product racks (see illustration above). **Smoker can hold a maximum of 27 product racks.** Maximum capacities above are based on (7) racks for pork butts, (14) racks for ribs, and (9) racks for whole chickens and brisket.

## Optional Features:

- Glass product display door.
- Stainless steel product racks.
- (7) vertical rib racks. Replaces the standard product racks. Each vertical rib rack hold 13 slabs of ribs for a total capacity of 91 slabs of ribs.
- Stainless steel vertical rib racks.
- Legs to mount smoker to a flat surface such as a trailer.
- Additional optional accessories are available.



Southern Pride Distributing, LLC  
401 S Mill St  
Alamo, TN 38001  
Phone: 731.696.3175  
Fax: 731.696.3180  
www.southernpride.com

REVISED: December 2017

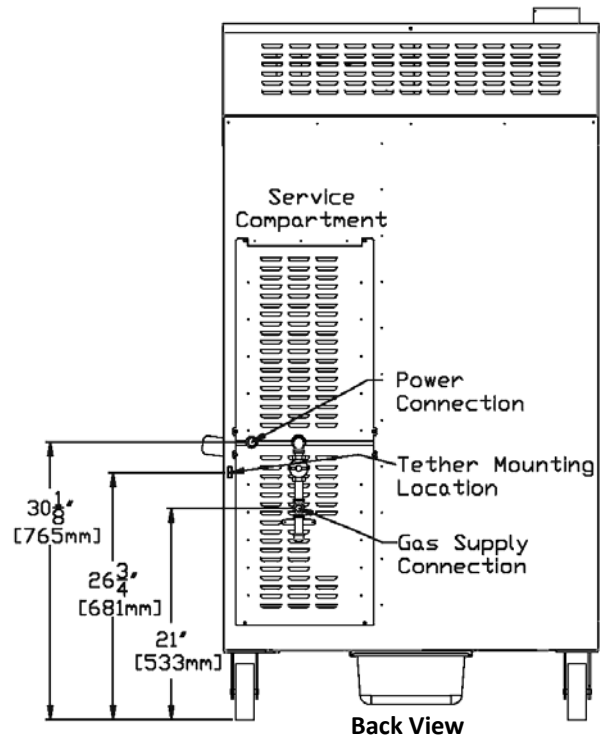
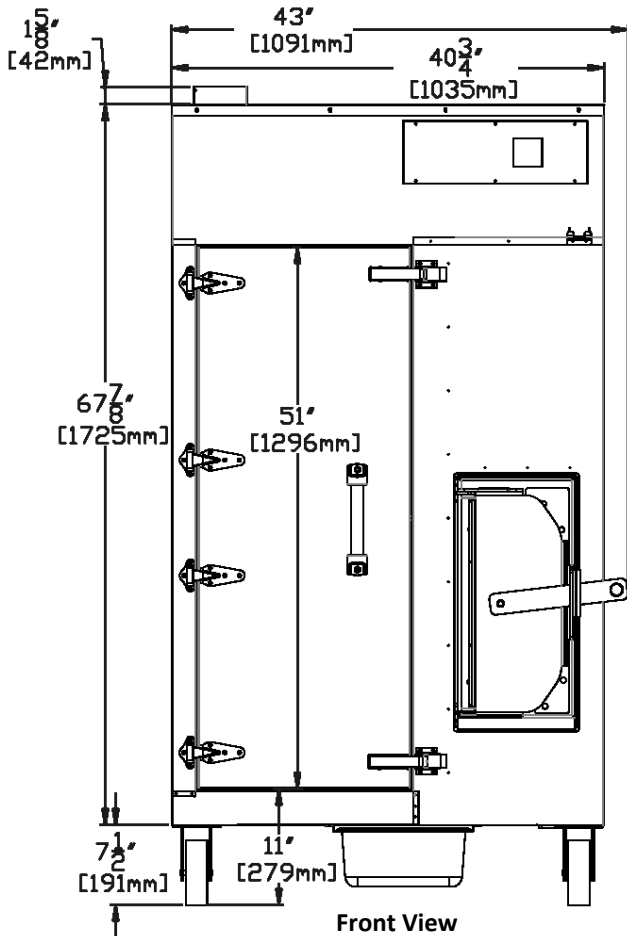
An ongoing program of product improvement may require us to change specifications without notice.

Serial number: G4000765 to Current

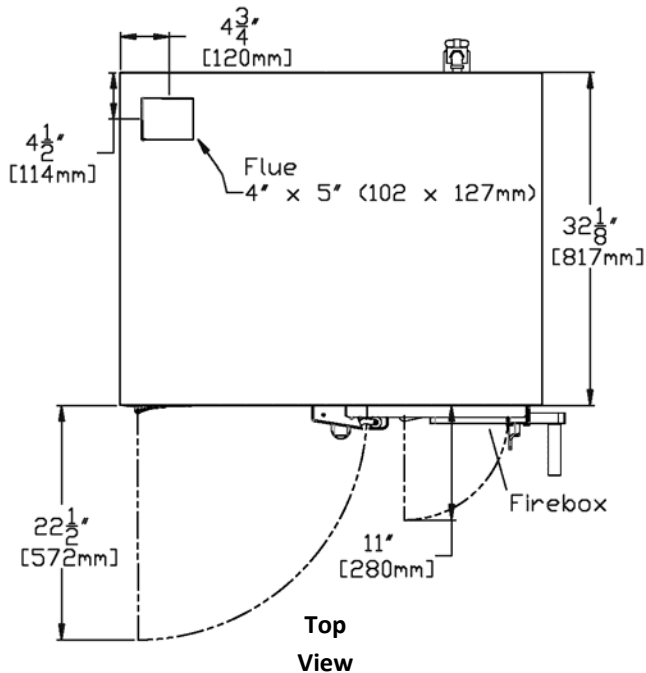
© 2017 Southern Pride Distributing, LLC

# Model: SRG-400 (120v model)

## Gas-Fired Wood-Burning Stationary Rack Smoker



Standard leg locations (center to center) -  
36"W x 27 7/8"D (914 x 708mm)



### REQUIREMENTS

#### GAS

1/2 inch gas inlet (NPT)

65,000 BTU (19 KW) - Natural (NG)

Supply line pressure - 4.5" W.C. min - 10.0" W.C. max (11.2 - 26.5 mbar)

OR

65,000 BTU (19 KW) - Propane (LP)

Supply line pressure - 11.0" W.C. min - 13.0" W.C. max (27.4 - 32.4 mbar)

#### ELECTRICAL

120 volt AC, 60 hertz, 1-phase, 15 amp wiring required, NEMA 5-15P plug

#### VENTILATION

The smoker must be vented in accordance with the Owner's Manual and the installation must comply with NFPA® 96 and all relevant local and national codes and in a manner acceptable to the authority having jurisdiction.

SHIPPING (crated) - 1,005 lbs (456 kg), Class 100

87"H x 48"W x 57"D (2210 x 1219 x 1448mm)

#### Minimum Clearance Requirements from Combustible Material

Back.....18" (457 mm) Right & left side.....2" (51mm)

Front.....48" (1219mm) Top.....18" (457mm)

NOTE: If provision is made for service access, back clearance can be reduced to 2" (51mm).